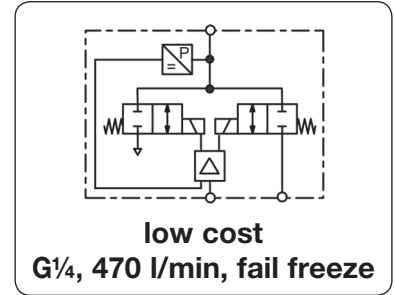


Description	Proportional valve with closed loop from an internal pressure transducer. Outlet pressure is proportional to an electrical input signal. Pressure control by two solenoid valves. The valve can be mounted in any position, is immune to shock and vibration and is without constant bleed in a steady state. lubricated, unlubricated and 20 µm filtered compressed air or non-corrosive gases		
Media	24 V DC ± 10%, residual ripple < 10%		
Supply voltage	coupling socket, 4-pin according to DIN 43650, 9,4 mm, size 15 x 15 mm, connector turnable in 90 ° steps		
Fail freeze	If supply voltage fails, outlet pressure will be frozen.		
Power consumption	3.6 W	Current consumption	max. 150 mA
Linearity/Hysteresis	< 1% FS	Repeatability	< 0.5% FS
Mounting position	any	Protection class	IP 65
Adjustment	Zero point: ca. ± 20% FS	Range:	+ 5% - 10% FS
Temperature range	Media: 0 °C to 60 °C / 32 °F to 140 °F	Ambient:	0 °C to 50 °C / 32 °F to 122 °F
Material	Body: POM Inner valve: POM	Elastomer:	NBR/Buna-N and FKM



Dimensions			K _v value (m³/h)	Flow rate (l/min*)	Command signal (V / mA)	Supply pressure (max. bar)	Pressure range (bar)	Order number
A (mm)	B (mm)	C (mm)						

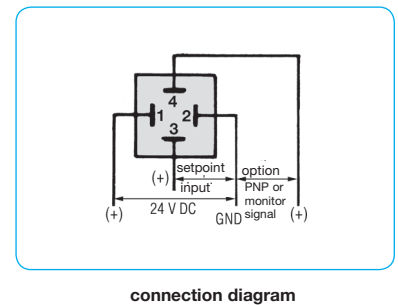
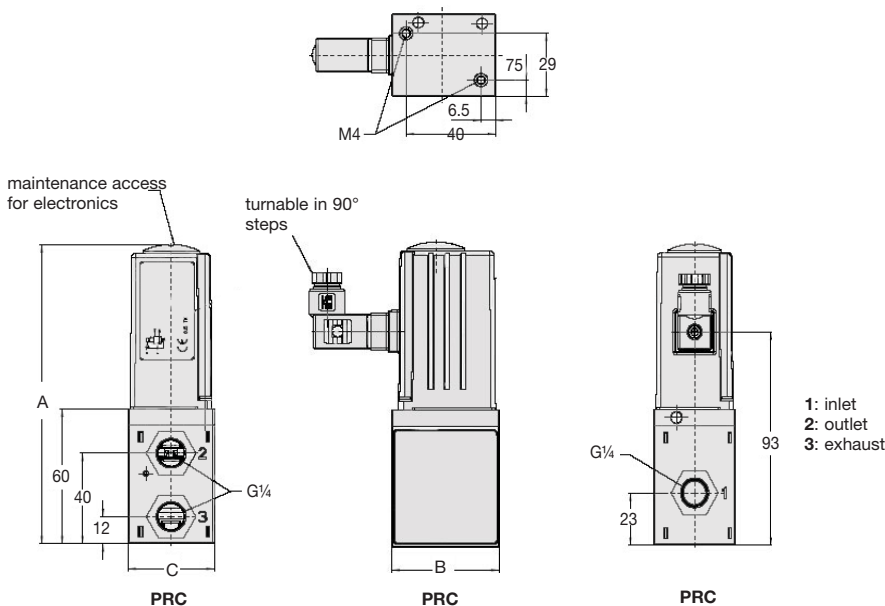
Economic-Proportional Pressure Regulator						G¼, DN4, supply 24 V DC fail freeze		PRC
46	132	38	0.25	470	0-10 V	5	0 ... 3	PRC1-03
						8	0 ... 6	PRC1-06
						12	0 ... 10	PRC1-10
46	132	38	0.25	470	4-20 mA	5	0 ... 3	PRC2-03
						8	0 ... 6	PRC2-06
						12	0 ... 10	PRC2-10
46	132	38	0.25	470	0-20 mA	5	0 ... 3	PRC3-03
						8	0 ... 6	PRC3-06
						12	0 ... 10	PRC3-10



Special options, add the appropriate letter

Monitor signal 0-10 V PRC . . . 1

Note: Minimum order quantity is 50 pieces.
For this low cost device only the pressure ranges specified above and no further options are available!



*1 at 7 bar supply pressure and open outlet